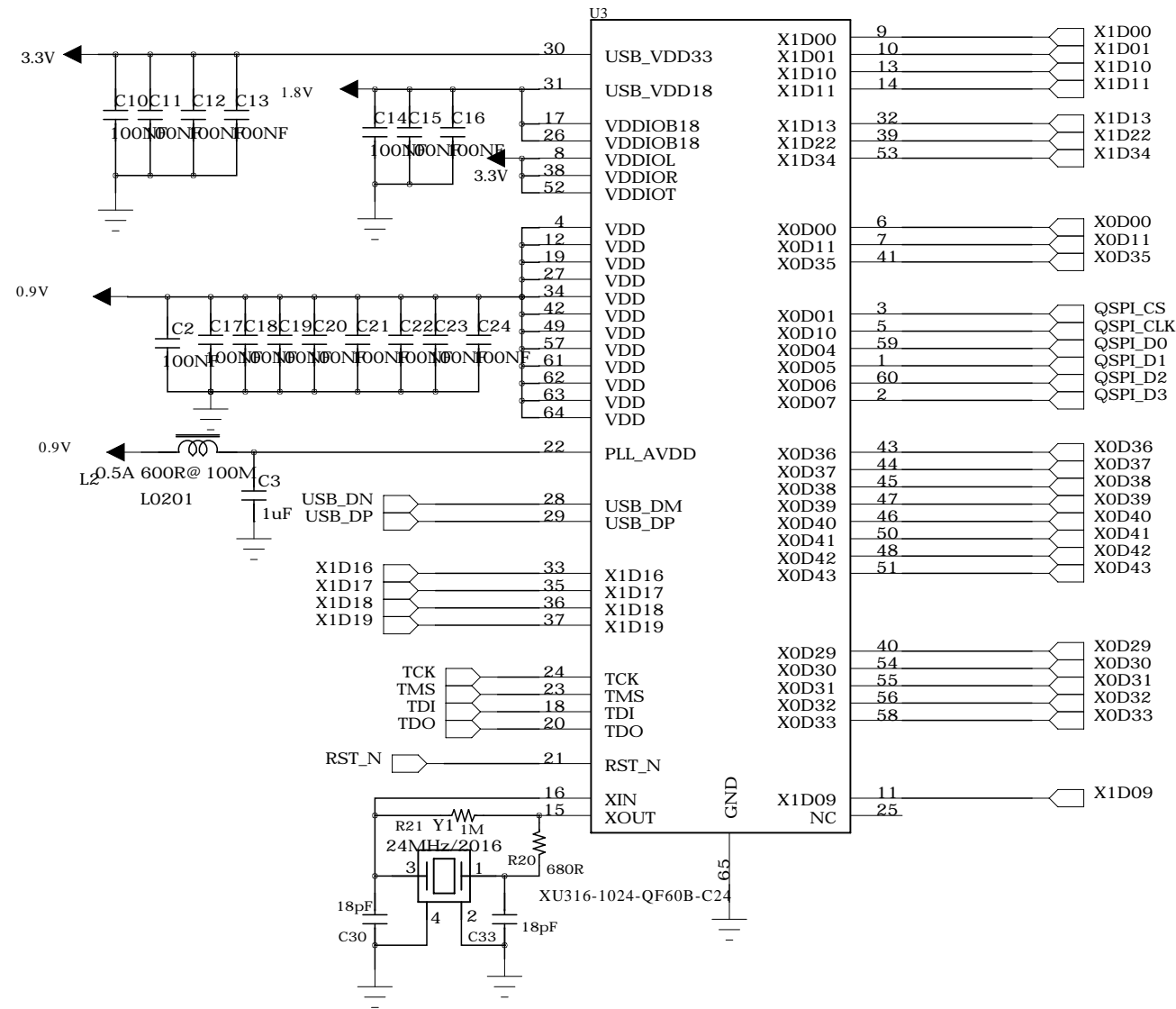
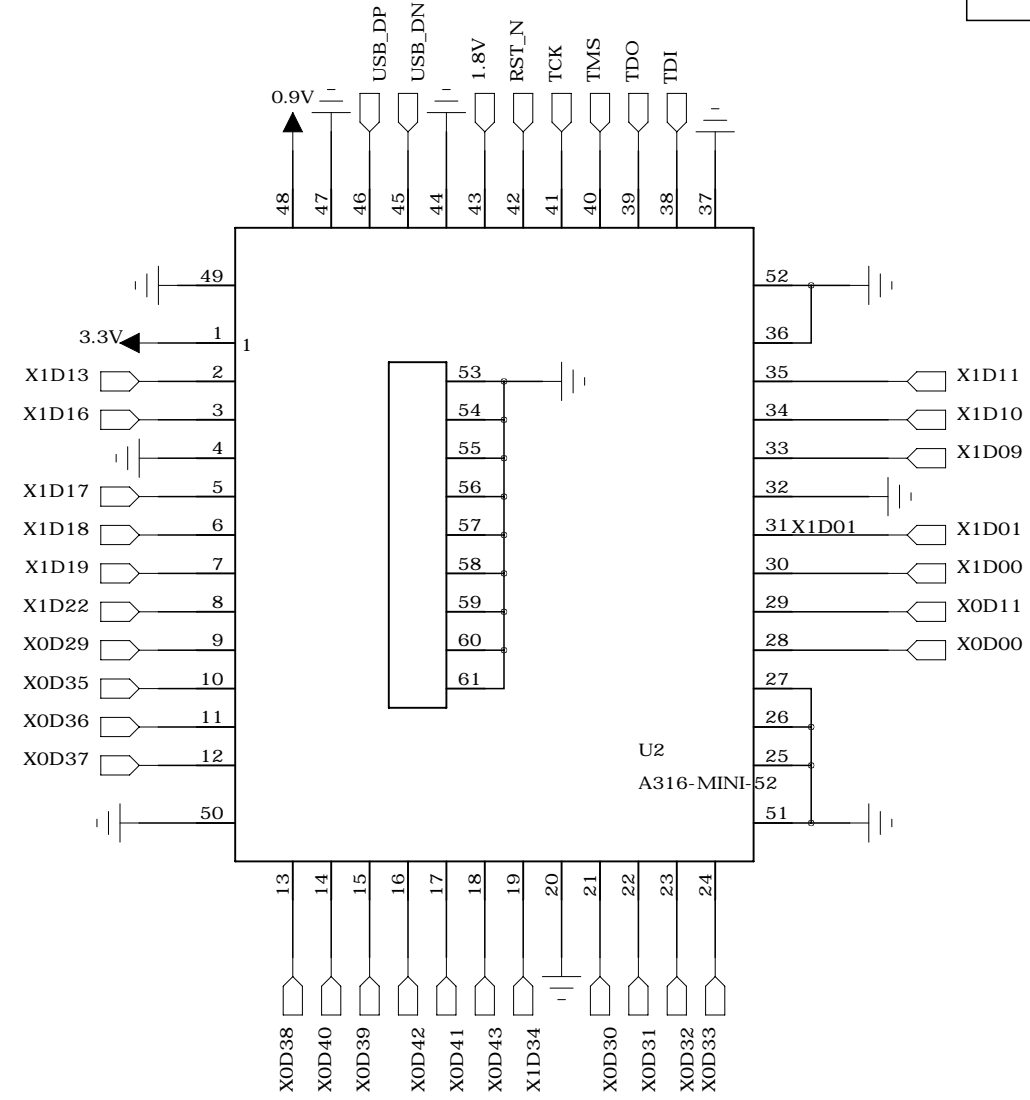


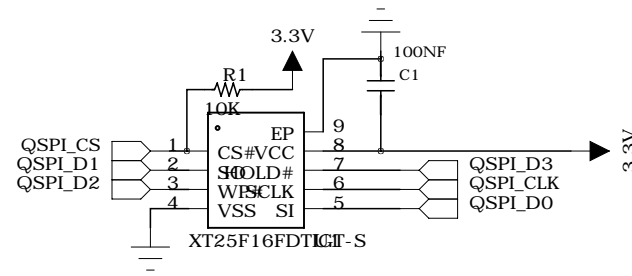
XMOS



A316-Mini-52



QSPI FLASH



REVISION RECORD			
LTR	ECO NO:	APPROVED:	DATE:
	QSPI_D2 XOD40		

COMPANY:				FTY	
TITLE:				A316_Mini	
DRAWN:	DATED:	CODE:	SIZE:	DRAWING NO:	REV:
CHECKED:	DATED:	A4	B		V1.0
QUALITY CONTROL:	DATED:				
RELEASED:	DATED:				
SCALE: <Scale>				SHEET: 01 OF 02	